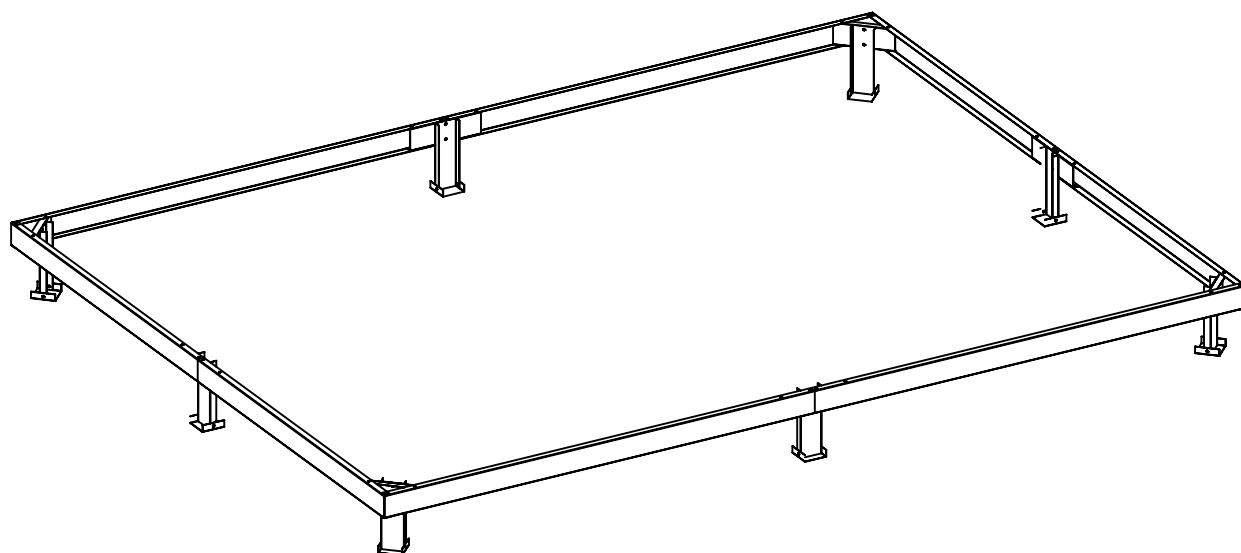


AVERTO

Mont žas instrukcija Assembly Instructions

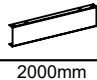
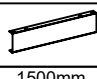


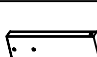
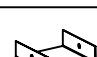




MODELIS/MODEL: METAL FOUNDATION

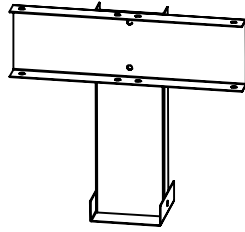
IZMĒRS/PRODUCT SIZE(LxWxH):300X400X10cm

Lūgums, pirms uzstādīšanas iepazīstieties rūpīgi ar uzstādīšanas instrukciju

PLEASE READ CAREFULLY BEFORE ASSEMBLY

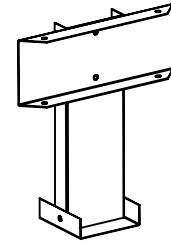
PART	NO.	QTY
	DJ01	4
<small>2000mm</small>		
	DJ02	4
<small>1500mm</small>		
	DJ03	4
	DJ04	4
	DJ05	8
	DJ06	8
	S01 M6X10	88
	M01	40

Savienojošais r mis x 4
Connecting Frame x 4

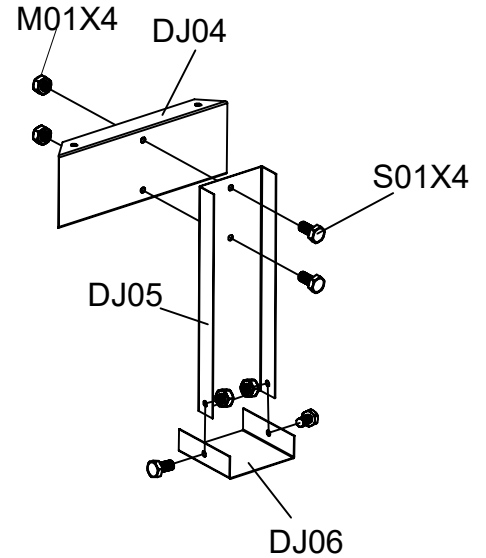
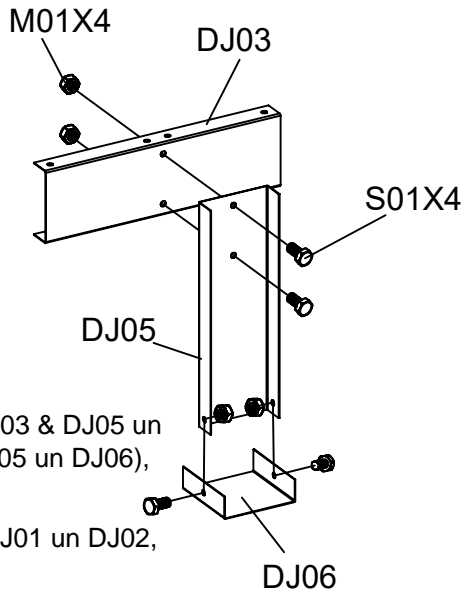


X4

St ra r mis x 4
Corner Frame x 4



X4

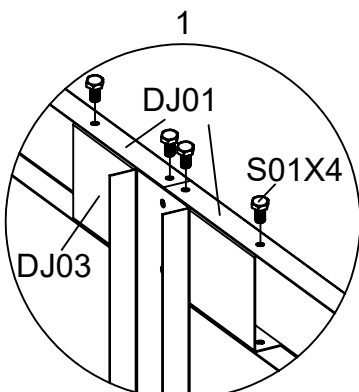
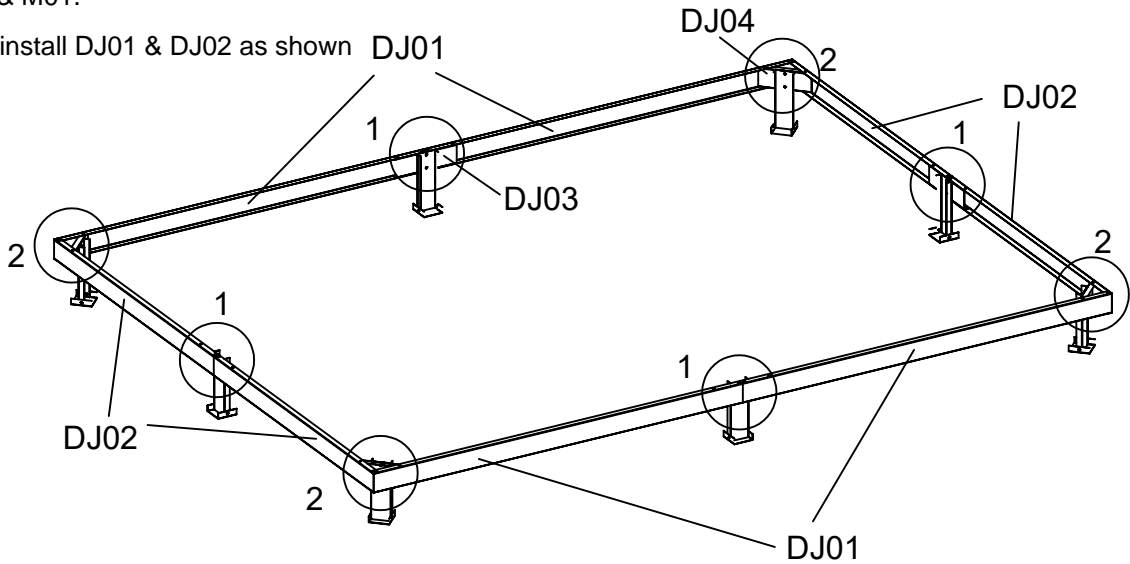


Uzst diet savienojuma r mi 4 x (DJ03 & DJ05 un DJ06) un st ri r mi 4 x (DJ04 un DJ05 un DJ06), izmantojot S01 un M01.

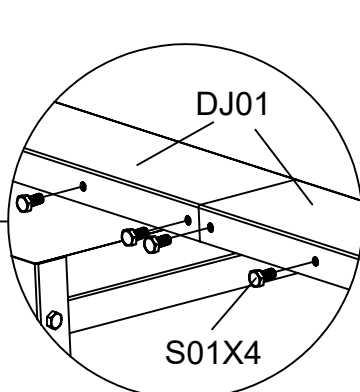
P c tam izmantojiet tos, lai saliktu DJ01 un DJ02, k par d ts zem k.

Install 4 x Connecting Frame (DJ03 & DJ05 & DJ06) and 4 x Corner Frame (DJ04 & DJ05 & DJ06), using S01 & M01.

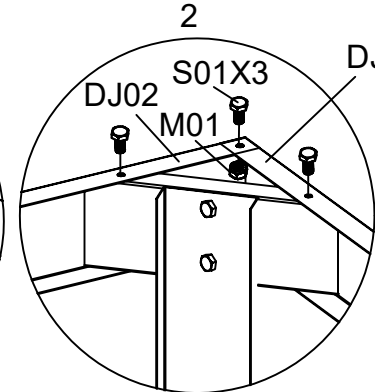
Then use them to install DJ01 & DJ02 as shown below.



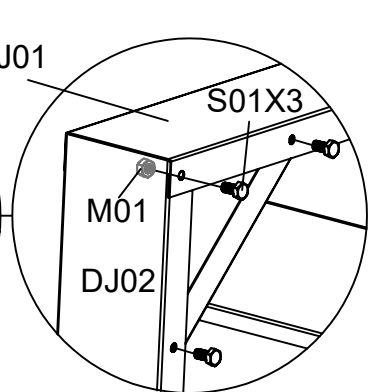
Skats no augšas
Top View



Skats no apakšas
Bottom View



Skats no augšas
Top View



Skats no apakšas
Bottom View